

Q Display 2 Series Installation Instructions

Ver. 000017

1. Safety notices

The Q Display should be installed and used according to the provided instructions. Installation and use of the Q Display contrary to the recommendations specified in this document may result in loss of warranty and damage to the device, vessel, or operator.



WARNING: The customer must not disassemble or attempt to service the product. There are no user-serviceable parts. Any changes or modifications will result in voided warranty.



WARNING: Disconnect battery before starting the installation.



WARNING: The device has a voltage rating of 12V DC. Maximum operating voltage is 15V DC.



WARNING: The positive supply wire (BATTERY+) shall always be connected with a 5A fuse to the positive (+) terminal of the battery.



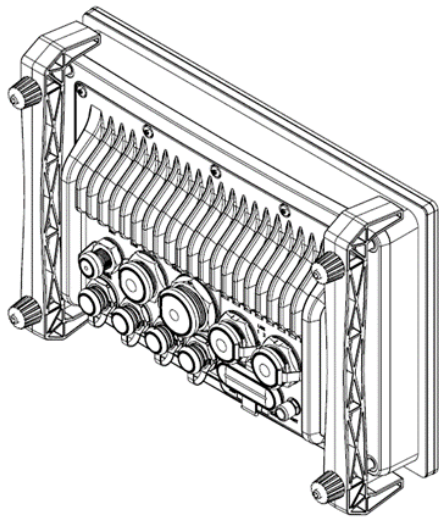
WARNING: Before connecting the Q Display to a power source, make sure that the device is grounded in accordance with the requirements of this manual. It is not possible to connect the Q Display to a circuit with positive grounding.

If you have questions about the installation or doubts about compatibility with other devices contact - support@nextfour.com.

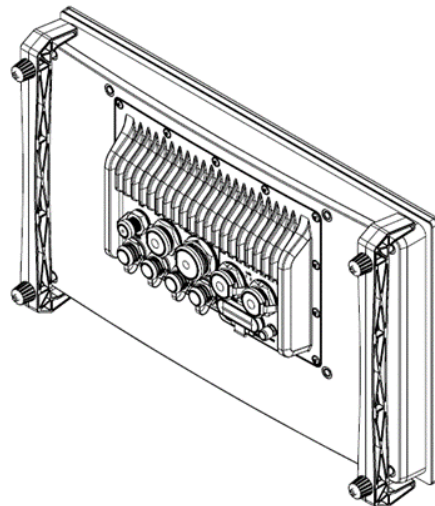
2. Applicable products

This document is applicable to the following products:

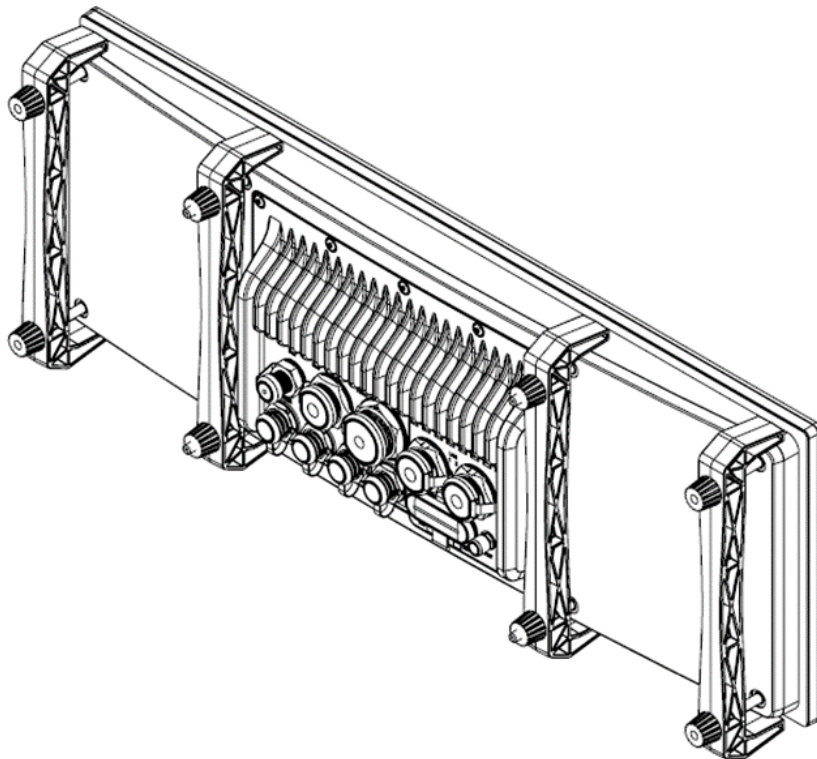
Product	Overall dimensions, mm	Panel cut-out, mm	Weight, kg
Q Display 210 & 210e	260 x 177 x 61	248 x 165	2,1
Q Display 216 & 216e	391 x 240 x 64	379 x 228	3,4
Q Display 210D	510 x 180 x 61	498 x 168	3,1



Q Display 210 (10")



Q Display 216 (16")



Q Display 210D (Dual 10")

3. Surface mounting

When choosing a location to install the Q Display, consider that there should be enough room behind the panel for cable connections as well as for installation and maintenance operations.

Proper air circulation must be provided around the device. The maximum operating temperature of the device is 55°C. Installation shall be designed and executed such that this temperature is not exceeded.

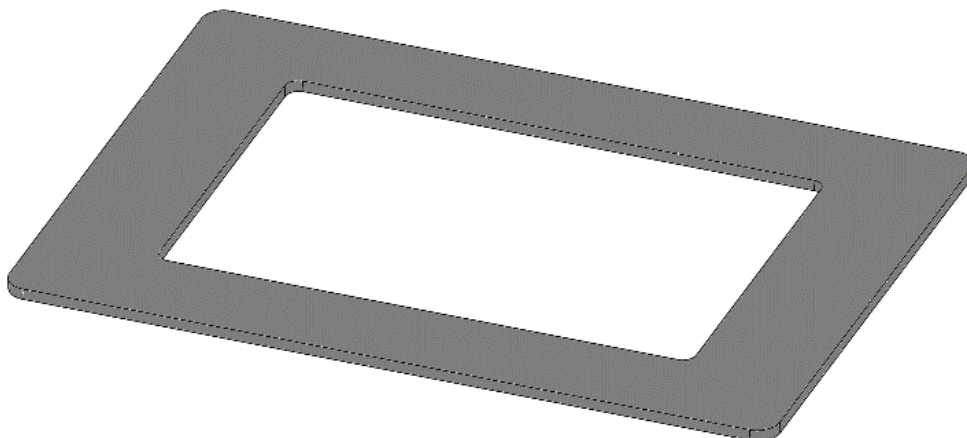
On outdoor installations, ensure that the panel is stiff and flat enough to form a seal with the device, and the intended panel is suitable to bear the weight of the Q Display.

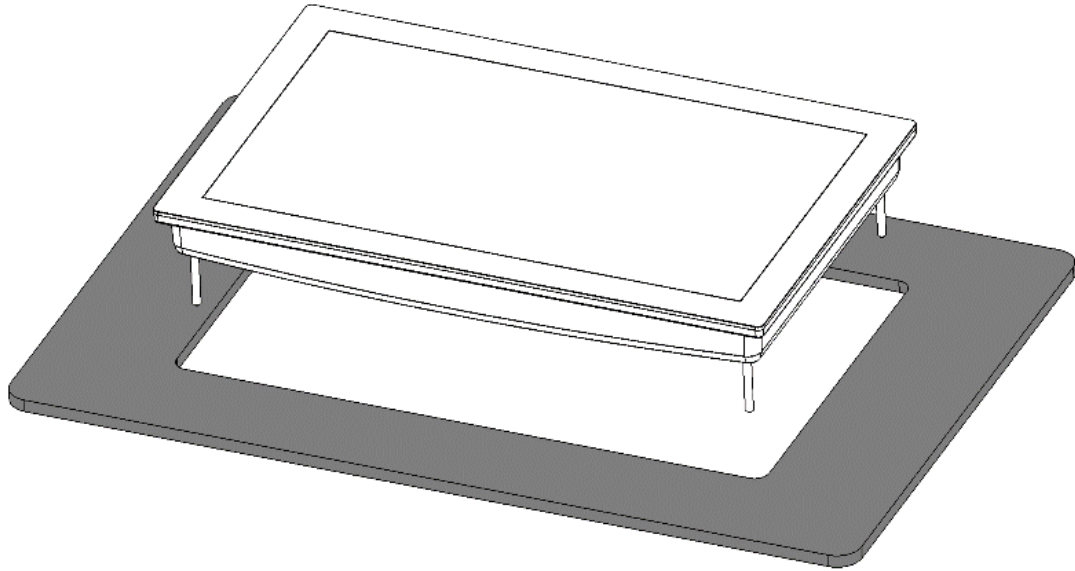
In addition, consider that the Q Display has an internal GPS/GNSS receiver and 4G modem, which require radio-transparent material around the device to work correctly. Non-radio transparent materials are different types of metal but also carbon fibre laminates. Use an optional GPS/GNSS antenna accessory to enhance GPS reception onboard vessels with enclosed cabins and/or radio frequency-blocking construction, where the Q display does not have a clear view of the sky. As the 4G modem antennas are built-in and cannot be exchanged with external equipment, some way of letting the device communicate with the outside world must be arranged.

Note! Whenever the Q Display is not in operation, the supplied silicone cover should be used to protect the device from sun and other elements.

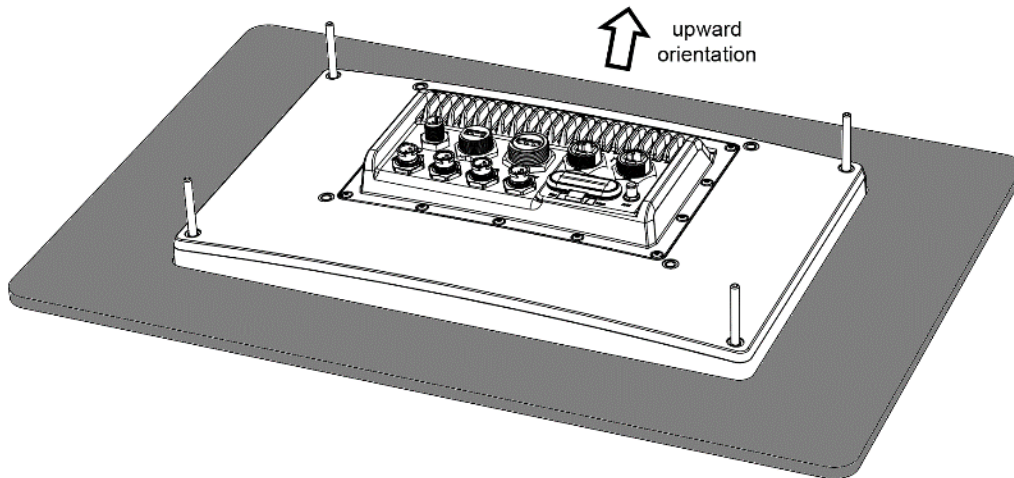
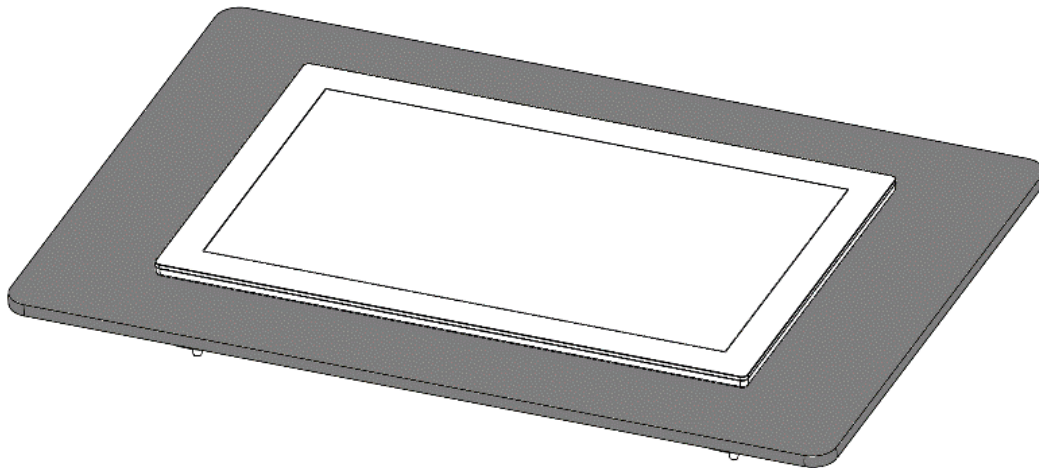
1. Cut a hole into the desired surface and insert the Q Display through the hole with the gasket in between.

The cut-out templates for the Q Display 210 (10"), 216 (16") and 210D (Dual 10") are provided within this manual.





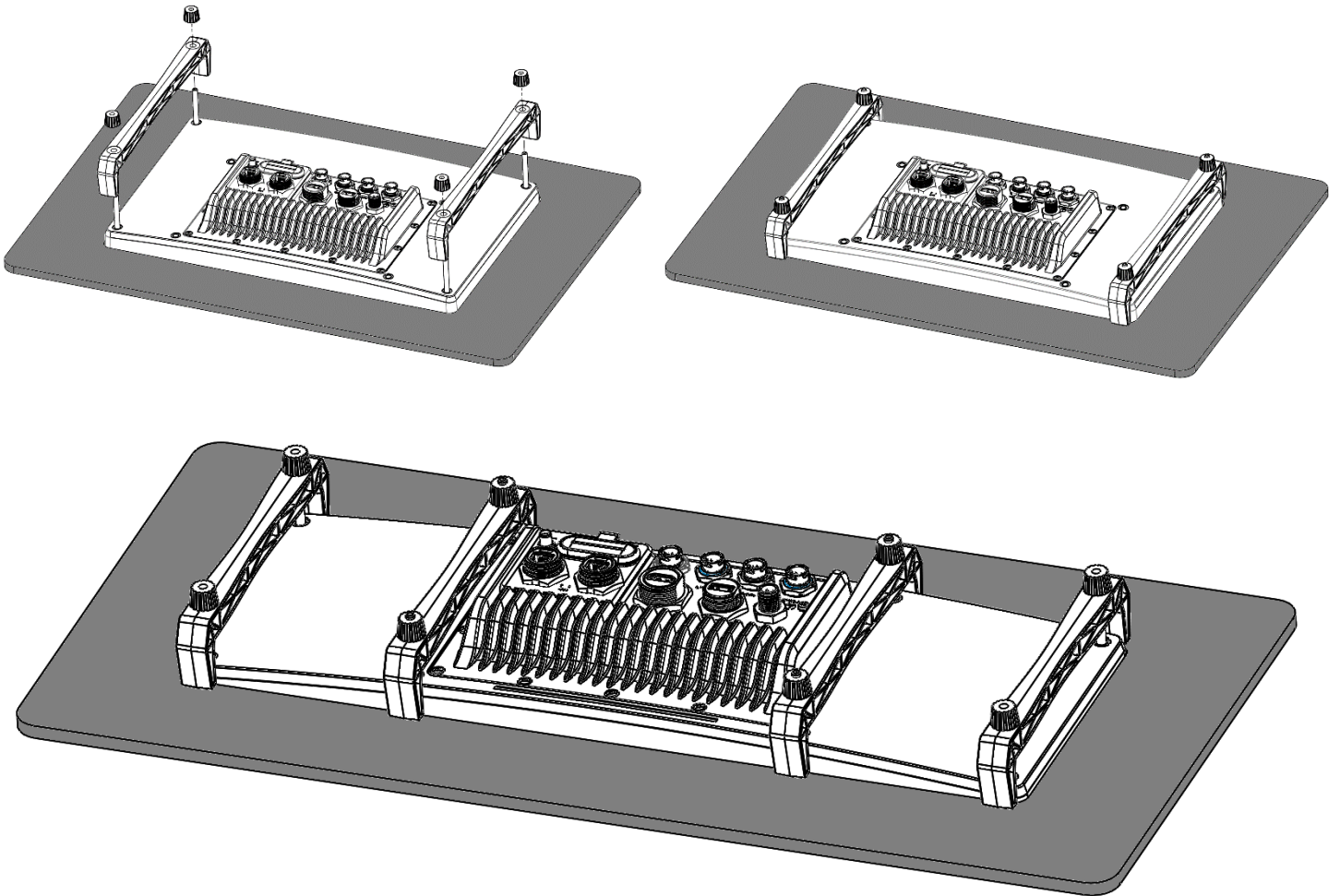
2. After inserting the Q display, check that it is properly in place considering the orientation and that the seam around the screen edge is properly sealed on all sides.



3. Fasten the brackets (supplied with device) with threaded studs and thumb nuts. The nuts shall be tightened carefully by hand to prevent them from loosening due to vibration, while making sure not to damage the Q Display from overtightening.

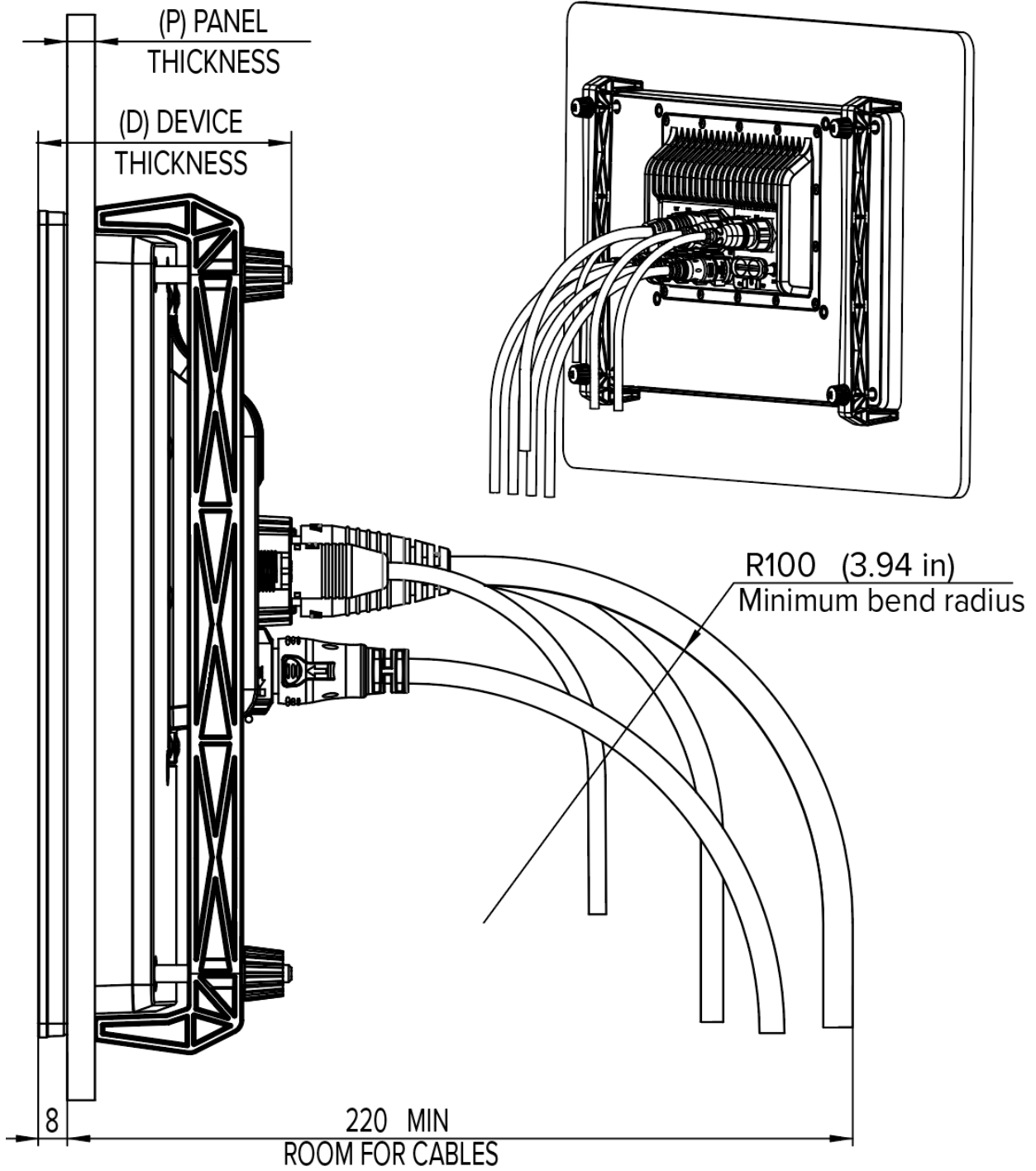


WARNING: Do not use tools or overtighten to avoid damage to the device. Max. torque 0.4 Nm.



Note that the Q Display 210D (Dual 10") requires 4 brackets (supplied with device).

4. Note that extra room should be provided behind a Q Display due to the minimum bending radius of cables.



Product	P, mm		D, mm
Q Display 210 (10")	4 min	15 max	76 min
Q Display 216 (16")		13 max	76 min
Q Display 210D (Dual 10")		7 max	78 min

5. Protect cables from stress with strain relief clips (not supplied).

6. Bracket (Trunnion) mounting

Optional trunnion bracket can be used to mount the Q Display 210 (10") and 210e (Auxiliary 10") on a horizontal surface. The bracket is not suitable for mounting Q Display 216 (16"), 216e (Auxiliary 16") or 210D (Dual 10").

When choosing a location to install the Q Display, consider that there should be enough room behind the panel for cable connections as well as for installation and maintenance operations.

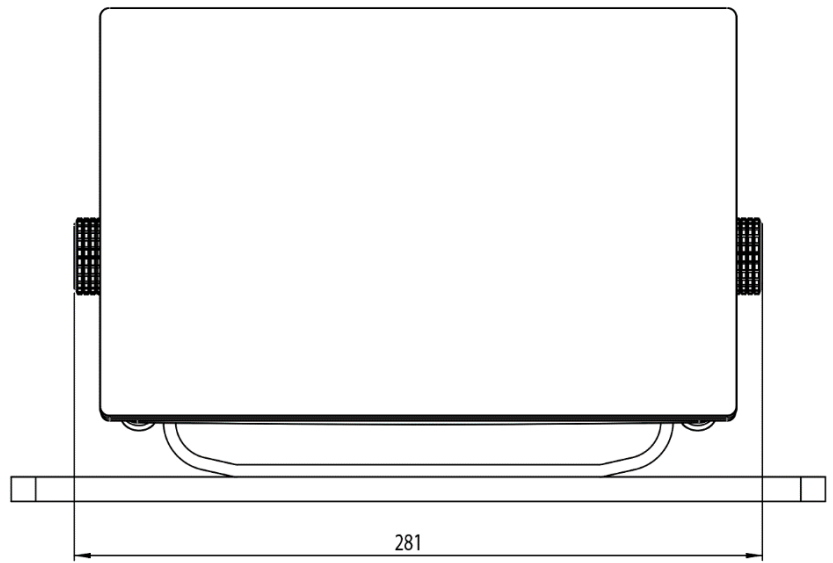
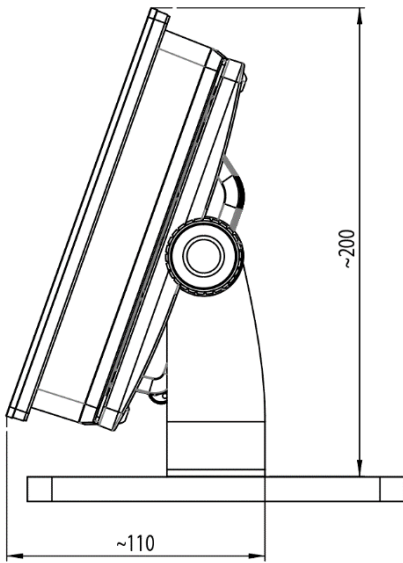
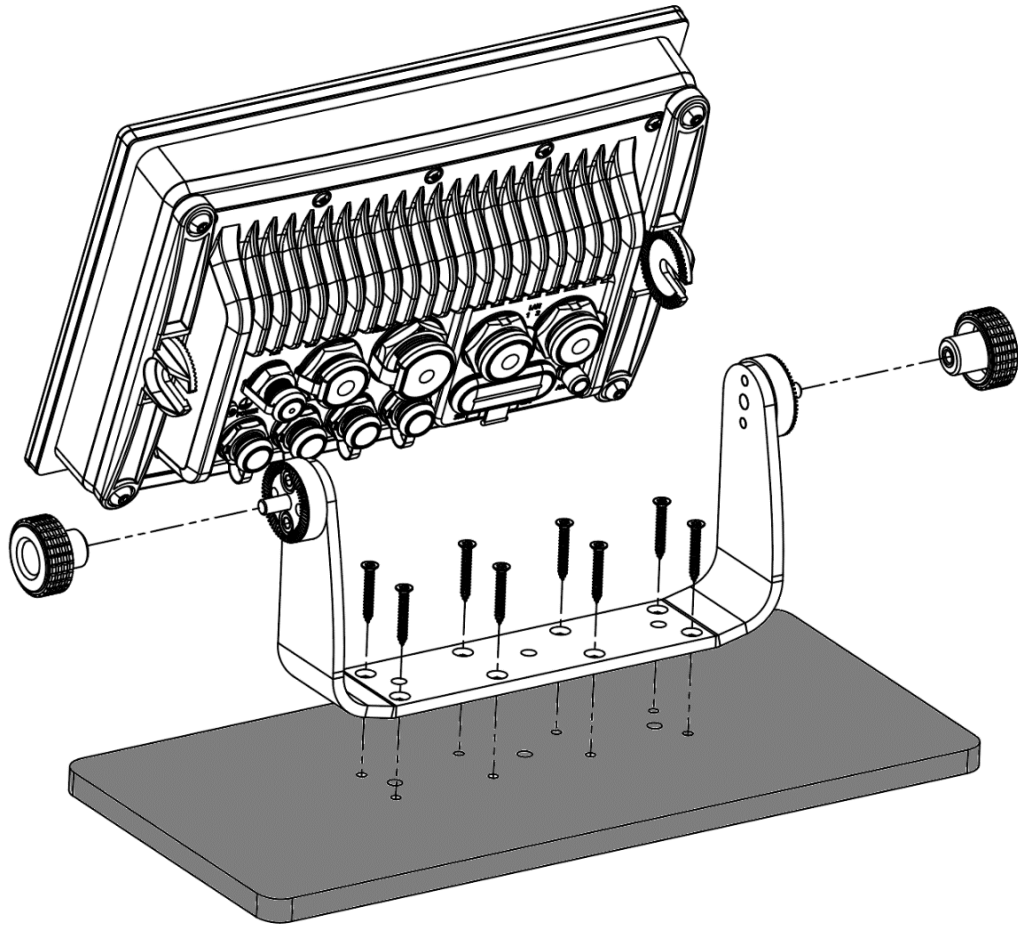
Proper air circulation must be provided around the device. The maximum operating temperature of the device is 55°C.

Install the two plastic mounts to the Q Display. Maximum torque 0.4 Nm. Use of low strength thread lock is recommended but not necessary.

Use the bracket as a template. Mark and drill at least 4x pilot holes on the mounting surface for the corresponding self-tapping screws (not provided with the bracket).

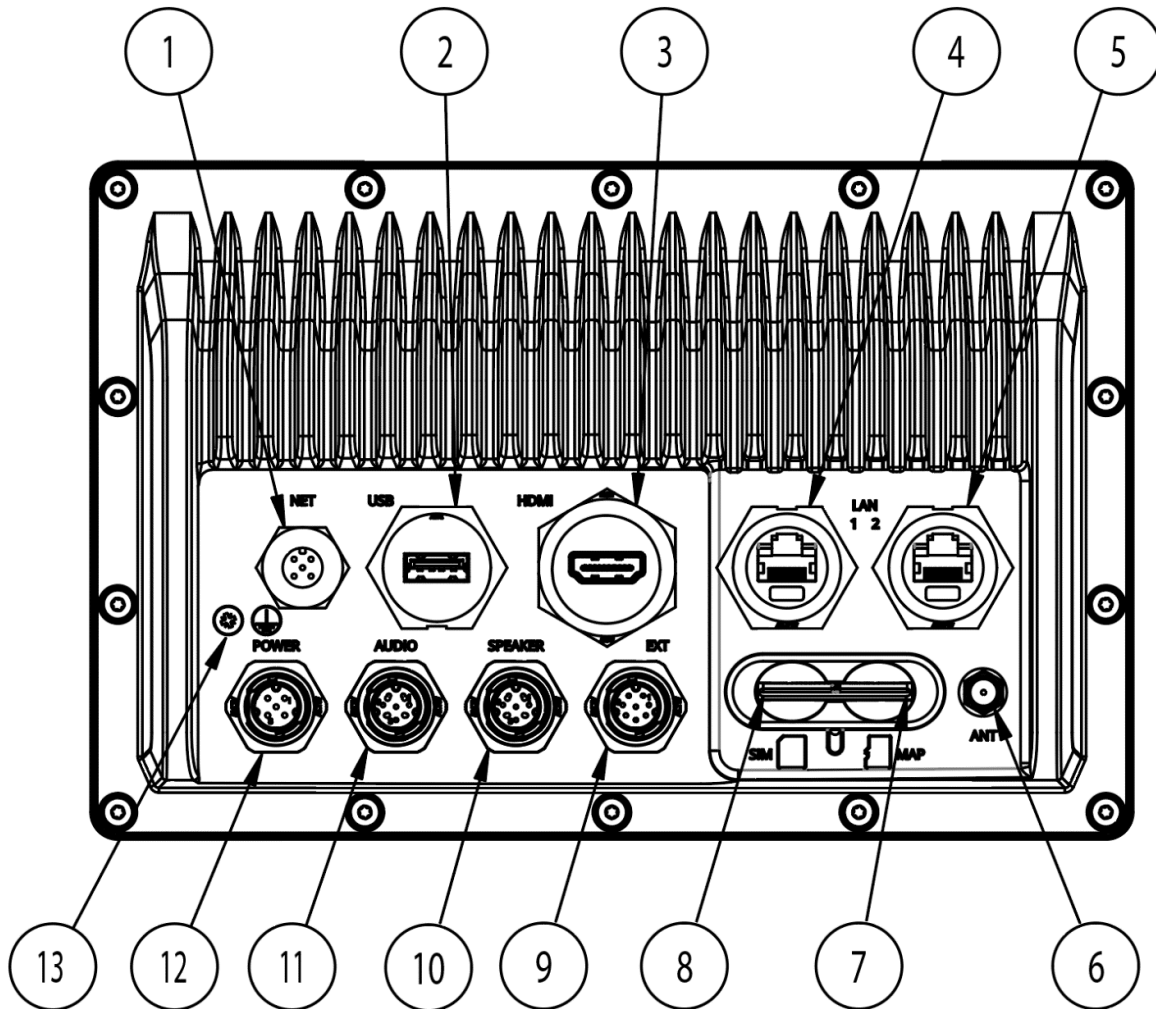
The side knobs shall be tightened sufficiently by hand to prevent them from loosening due to vibration when underway.

Note! Whenever the Q Display is not in operation, the supplied silicone cover should be used to protect the device from sun and other elements.



7. Connections overview

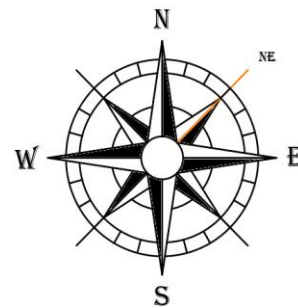
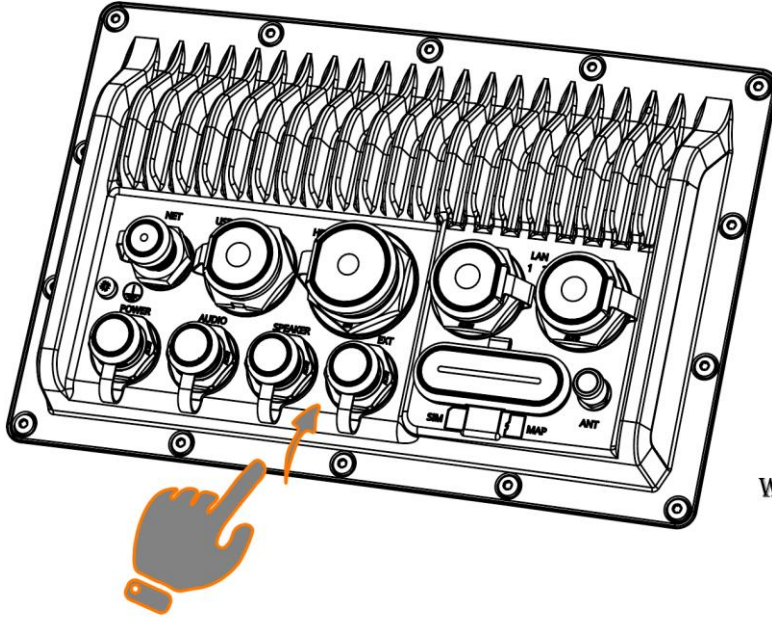
Overview of the Q Display connections.



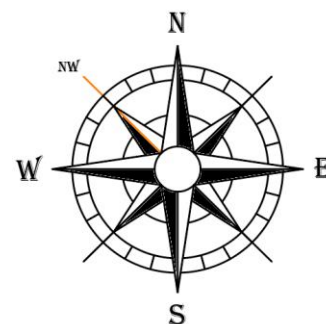
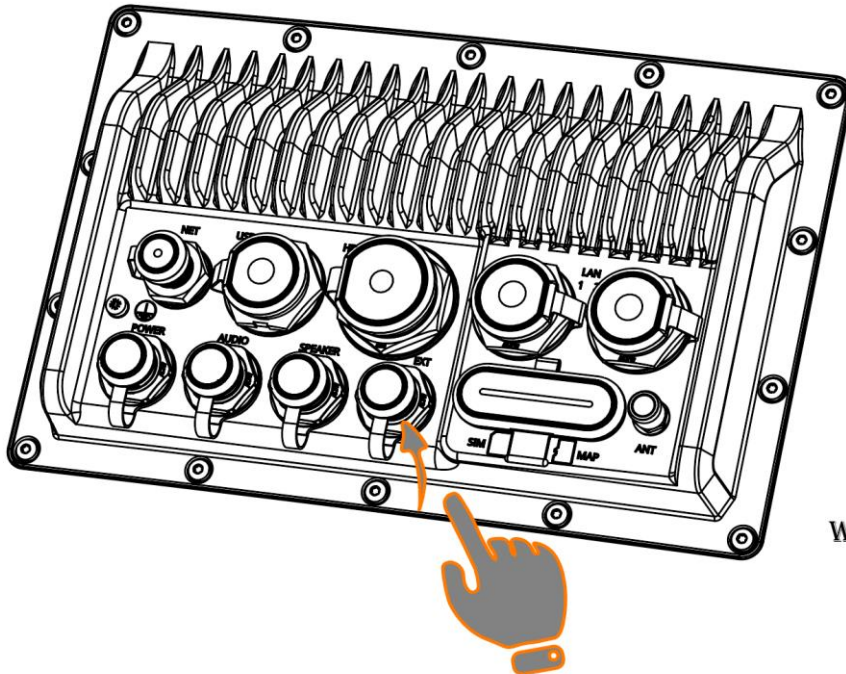
No	NAME	DESCRIPTION
1	NET	NMEA2000 network
2	BUS	Accessory port
3	DISP	Port for auxiliary Q Displays such as 210e and 216e
4	LAN1	1000Mbps Ethernet port
5	LAN2	100Mbps Ethernet port
6	ANT	FM/DAB radio antenna connector
7	MAP	Map card holder
8	SIM	SIM card holder
9	EXT	Extension port
10	SPEAKER	Speaker port
11	AUDIO	External line level audio port
12	POWER	Power input
13	Ground	RF ground connector



NOTE: To **open** "Power", "Audio", "Speaker" and "Ext" caps: pull cap up and towards "NE" direction as shown on the picture below.



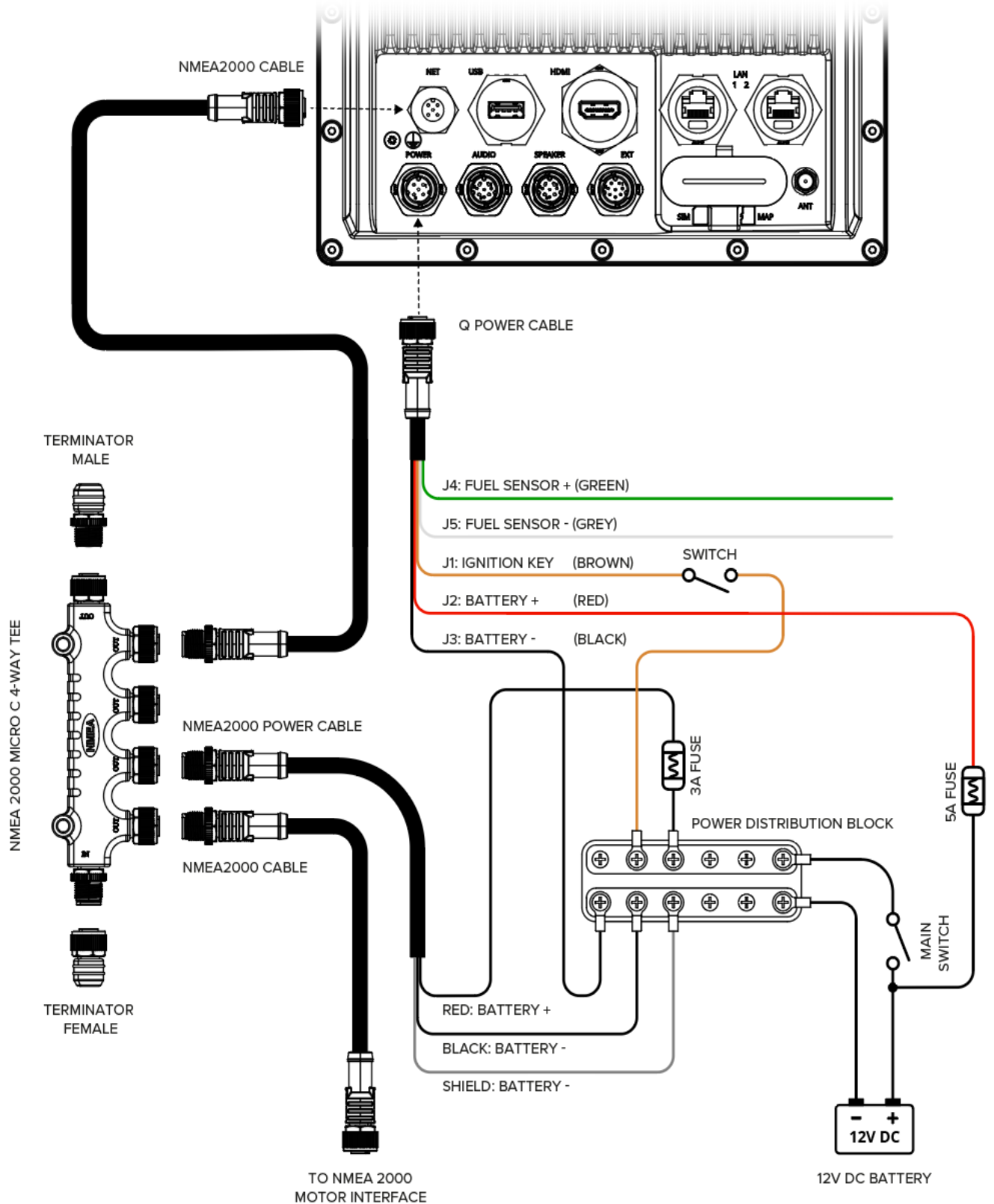
NOTE: To **close** "Power", "Audio", "Speaker" and "Ext" caps: slide cap towards "NW" direction and push down as shown on the picture below.



8. Basic installation

8.1. Basic installation connections

Basic installation includes Q Display, power supply and NMEA connections.



Power connection

Q Display is powered by 12V DC via supplied Q Power cable. Use only the power cable supplied with the device.

Ensure that the vessel's main power supply is switched off and battery is disconnected.

Connect wire (BATTERY+) to 12V DC power supply positive (+) terminal through a waterproof fuse holder with a 5A fuse (not supplied).

Connect wire (BATTERY-) to 12V DC power supply negative (-) terminal.

Connect wire (IGNITION KEY) through ignition switch to 12V DC power supply positive terminal.



WARNING: Before applying power to the Q Display, ensure that it has been correctly grounded and circuit-protection fuse is installed in accordance with the instructions.

NOTE: The Q Display is powered ON and OFF by using switch on IGNITION KEY control signal.

8.2. Fuel level meter

If you connect fuel level meter, sensor must be resistive model, EU (0-190ohm) or American (240-30ohm).

1. Connect wire (FUEL SENSOR+) to sensor positive terminal.
2. Connect wire (FUEL SENSOR-) to sensor negative terminal.



WARNING: Do not connect 'FUEL SENSOR-' to supply voltage! This will result in permanent damage to device.

8.3. Grounding — optional dedicated drain wire

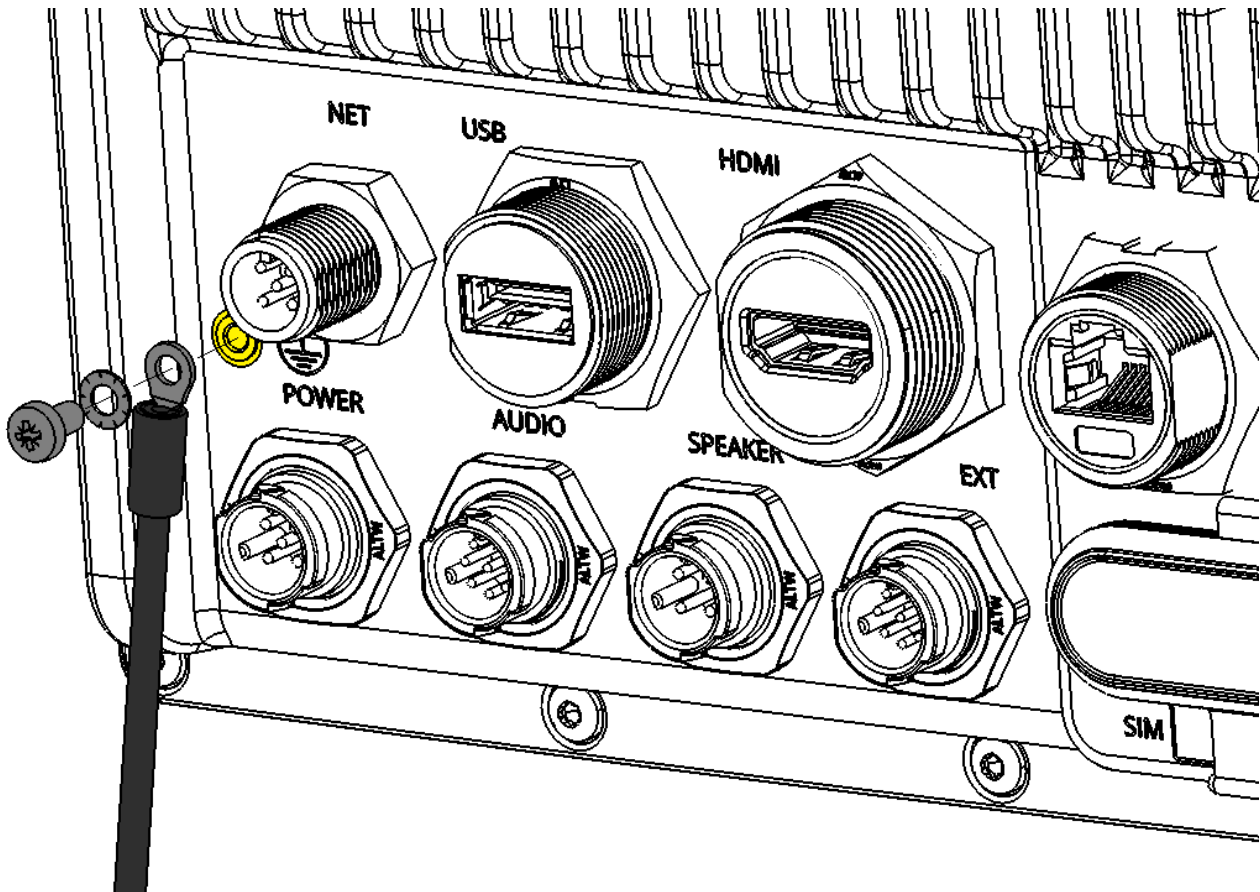
Frequencies emitted from devices such as switch mode power supplies or MF/HF transmitters etc. can cause interference with a touchscreen. If you experience issues with touchscreen performance, fitting an additional dedicated drain wire can resolve the issue.

Connect one end of the additional drain wire (not supplied) to your product.

Connect the other end of the additional drain wire to the same point as the power cable drain wire (shield). This might be either boat's RF ground point or the system's negative battery terminal.

The DC power system should be either:

- Negative grounded, where the negative battery terminal is connected to the vessel's ground; or
- Floating, where battery terminal is not connected to the vessel's ground.

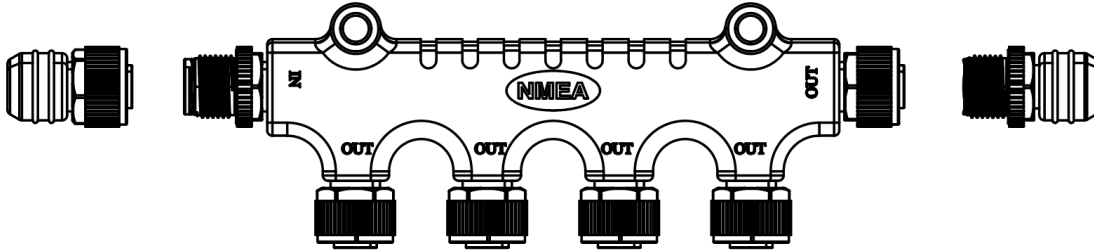


WARNING: Do not connect the Q Display to a system that has positive grounding.

8.4. NMEA Network

NMEA 2000 network is used to receive engine status information to Q Display and to communicate with other compatible devices.

1. Mount NMEA2000 MICRO-C 4-WAY TEE (provided separately) to appropriate location. Add terminators to both ends of the multiple-port, another end male terminator and other end female terminator.

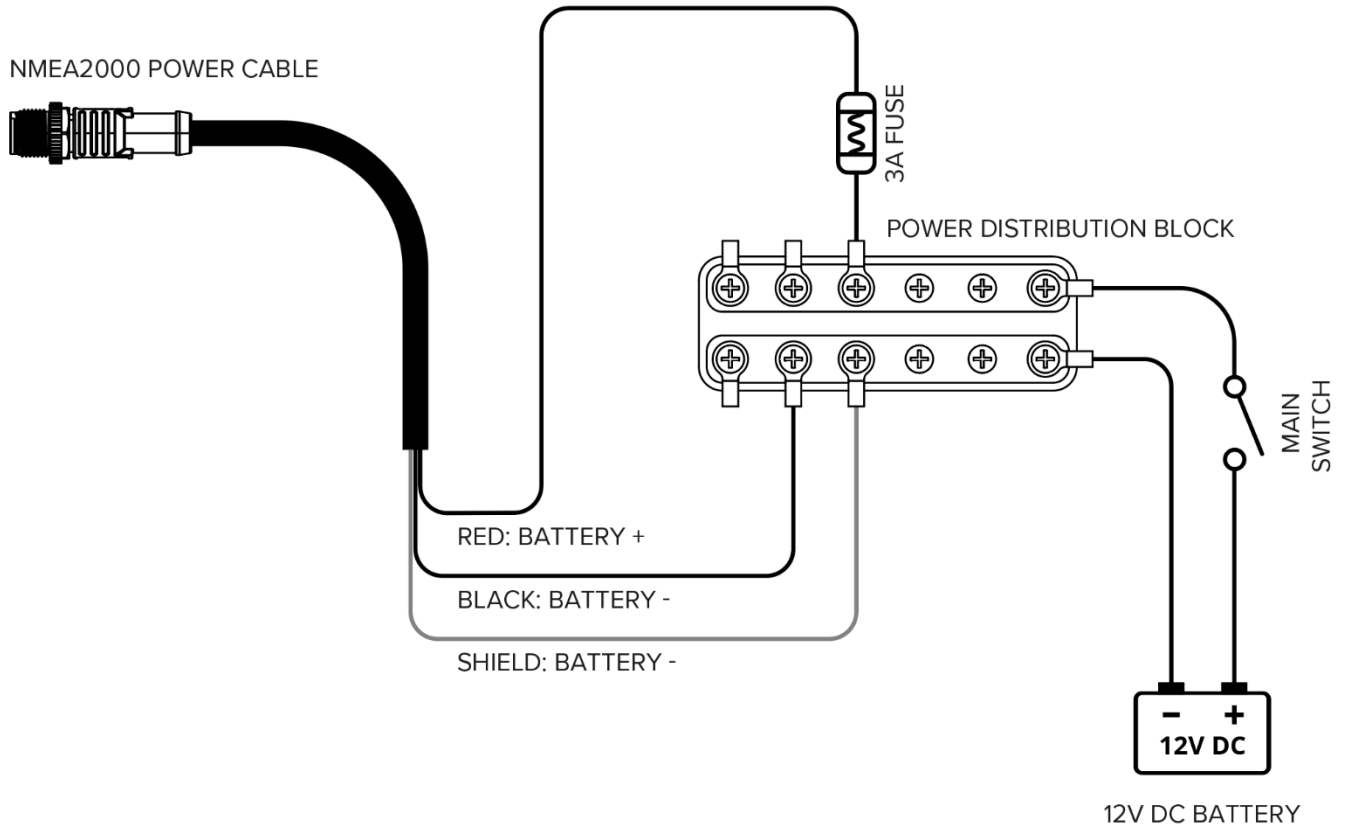


TERMINATOR FEMALE

NMEA 2000 MICRO C 4-WAY TEE

TERMINATOR MALE

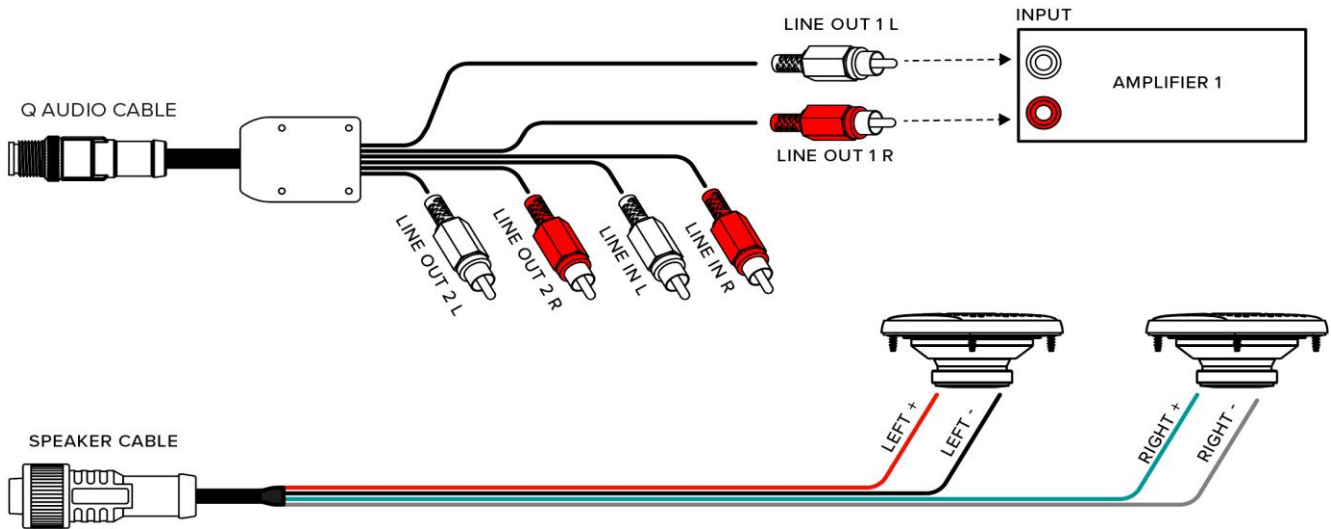
2. Connect NMEA 2000 Power cable (provided separately) with 3A fuse to 12V DC power source positive (+) pole, wire and to 12V DC negative (-) pole.



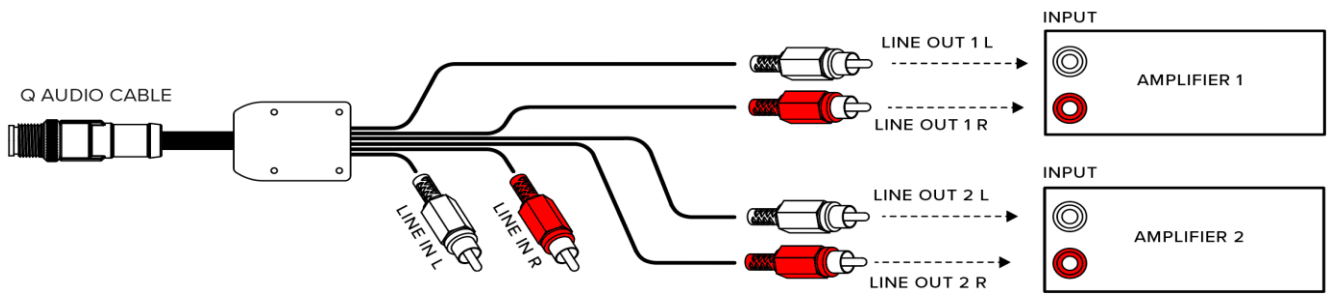
3. Connect one multiple-port output to the Q Display NET connector using NMEA 2000 double-ended M/F cable with suitable length (provided separately).
4. Connect one multiple-port output to NMEA Motor Interface using NMEA 2000 double-ended cable with suitable length (provided separately).

9. Entertainment installation

Note that Q Display has an internal audio amplifier as well as support for two external amplifiers. Two audio zones can be controlled separately:



a. Internal amplifier + LINE OUT 1 (external)

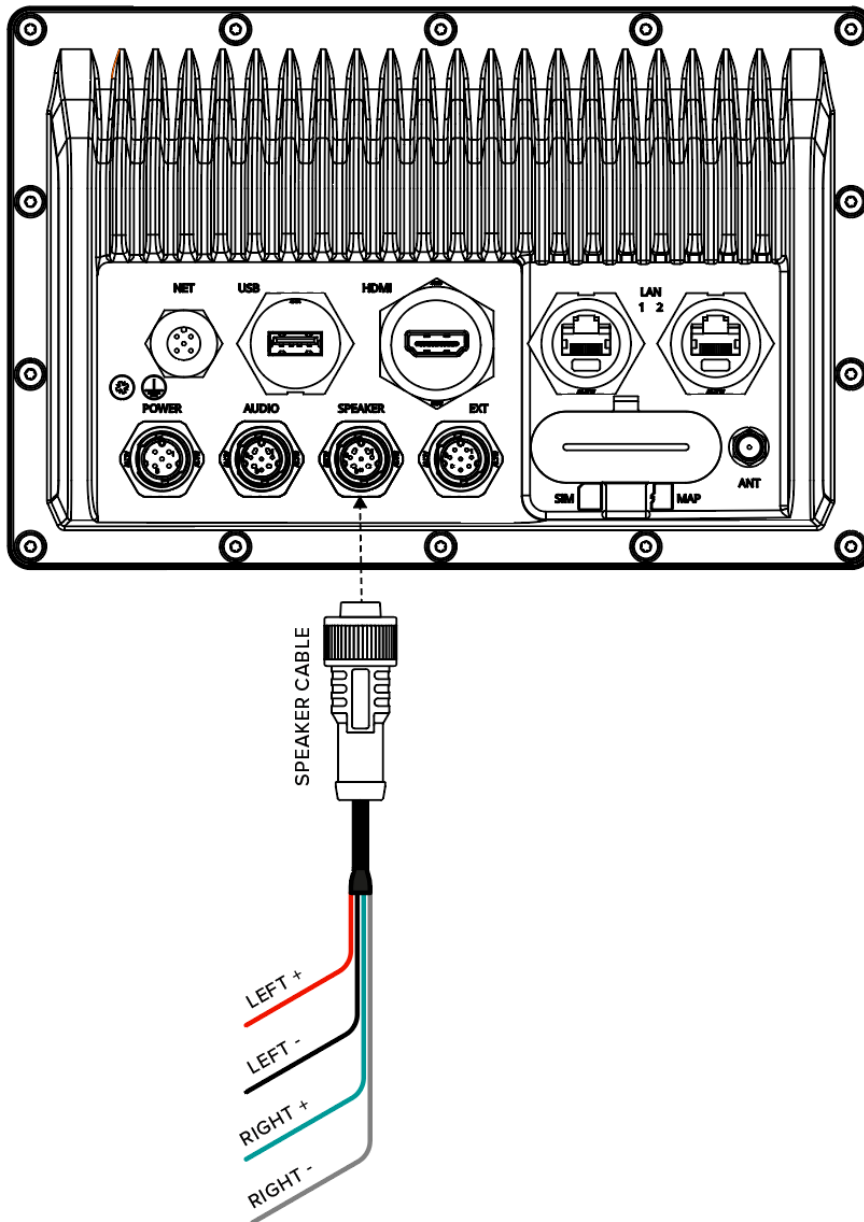


b. LINE OUT 1 (external) + LINE OUT 2 (external)

LINE OUT 2 is connected parallel to internal amplifier signal.

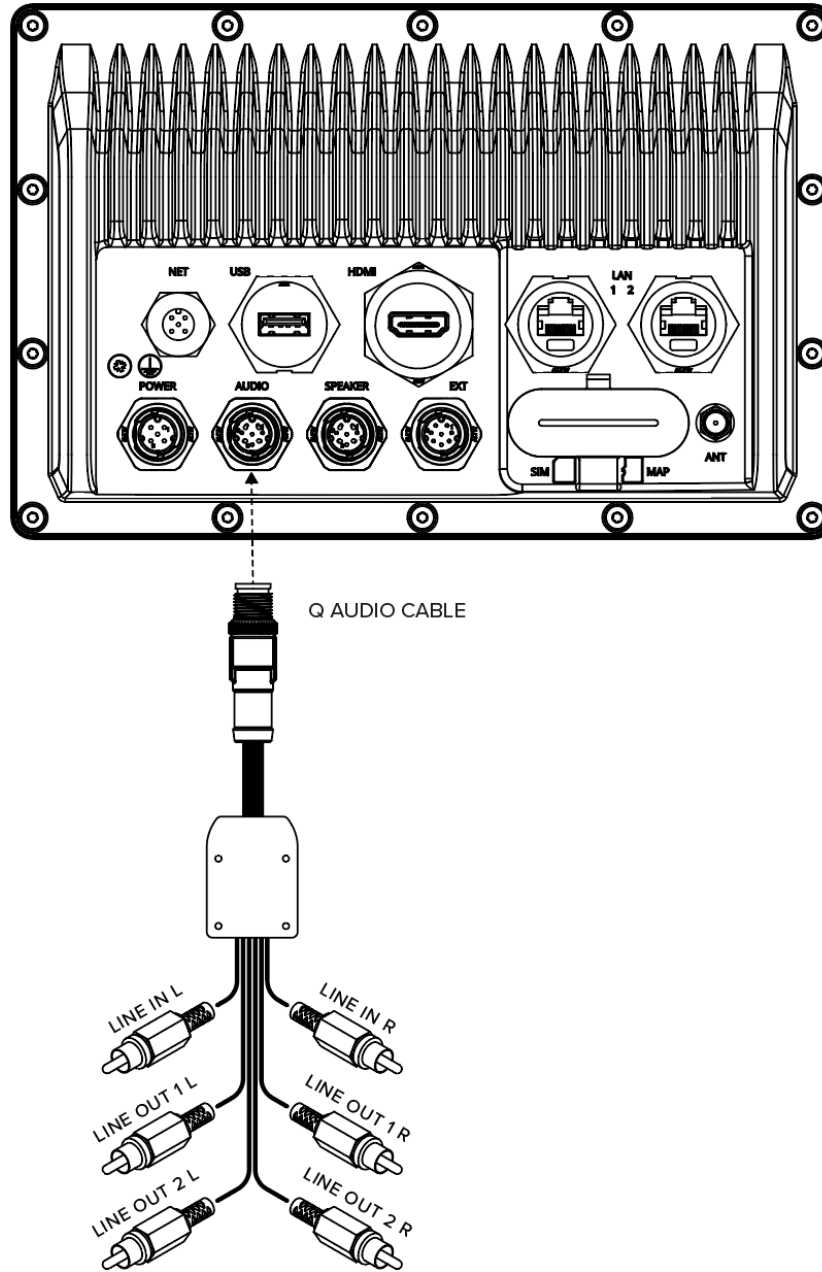
9.1. Speaker connections (Internal amplifier)

Connect Q Speaker Cable (provided separately) to the Q Display SPEAKER connector.



9.2. Audio connections (External amplifier)

Connect Q Audio Cable (provided separately) to the Q Display AUDIO connector.

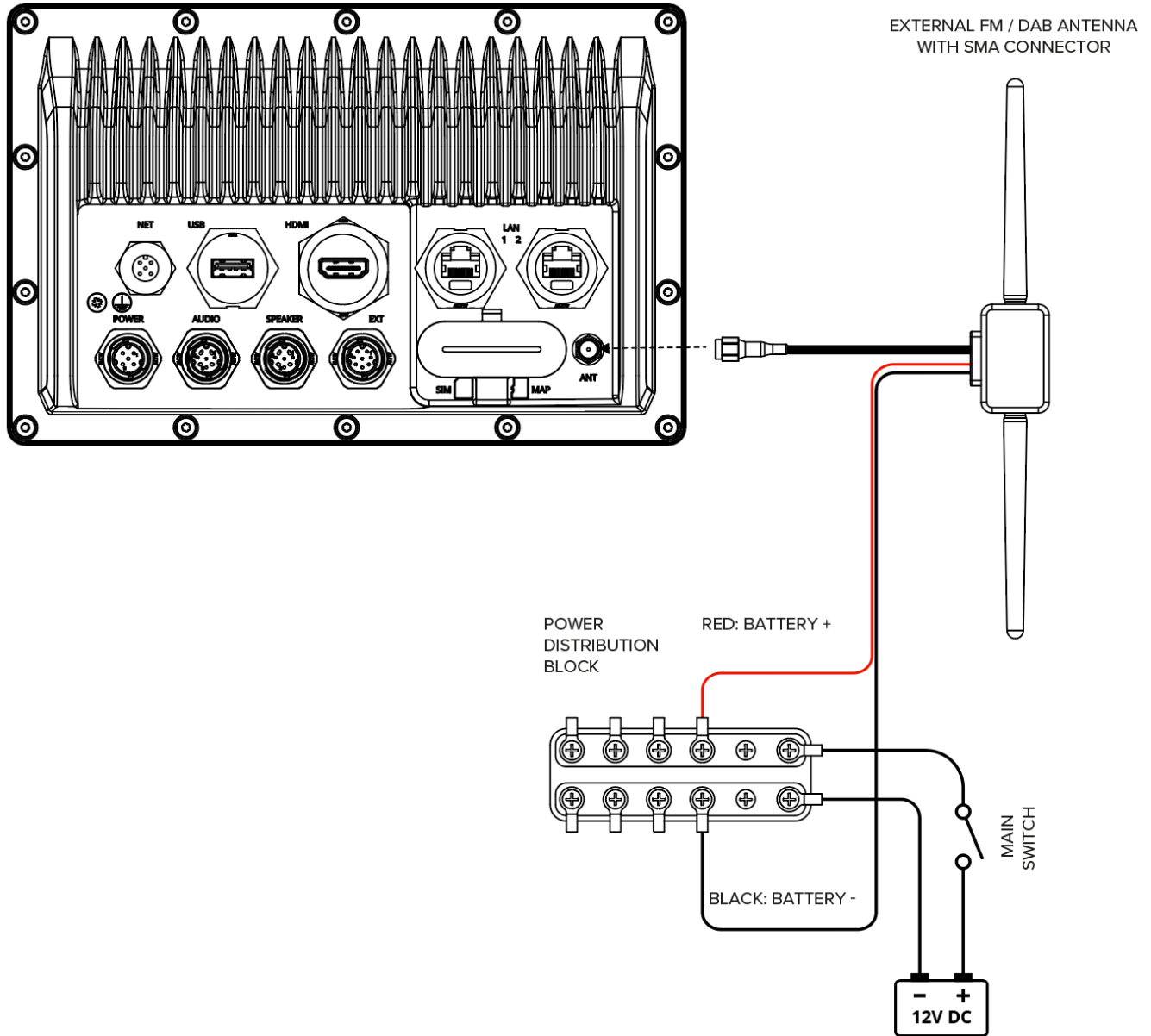


LINE IN can be used as an auxiliary input, selectable as source in the Music app.

LINE OUT 1 and LINE OUT 2 volume can be controlled separately.

Note that LINE OUT 2 is connected parallel to the internal amplifiers signal.

9.3. FM-antenna connections



Connect FM/DAB antenna (provided separately) to the Q Display ANT connector. You can use FM/DAB antenna with SMA connector, or you can use SMA male to DIN female adapter cable and connect any FM/DAB antenna with DIN male connector to the adapter cable.

9.4. Bluetooth

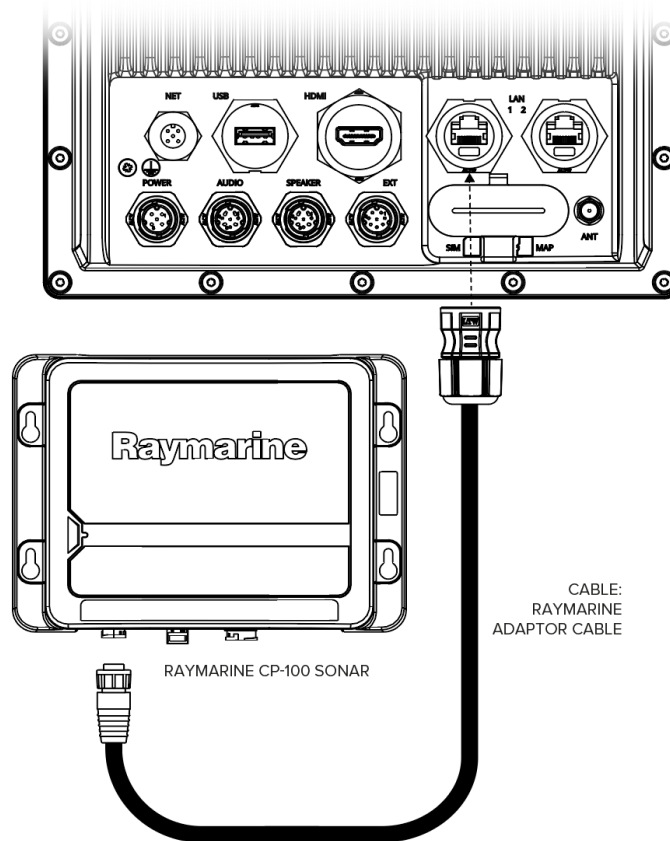
The Q Display can be connected to other devices via Bluetooth to play and control audio and to receive phone calls.

10. Fishfinder installation

The Q Display can be connected to a Raymarine CP100 sonar (Fishfinder) and Airmar IC-TM90M Fishfinder.

The Raymarine sonar is connected to either LAN connector with a RayNet adaptor cable RayNet (F) to the RJ45 (M) Port (provided with radar).

The RJ45 connector of the cable shall be assembled with a cable gland (provided separately) to protect the connection against dust and water ingress.



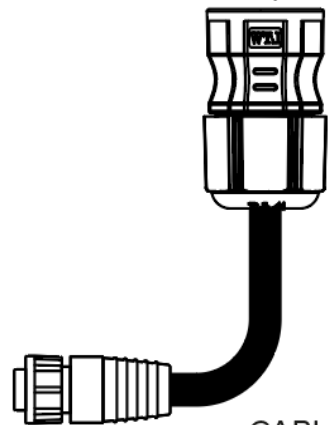
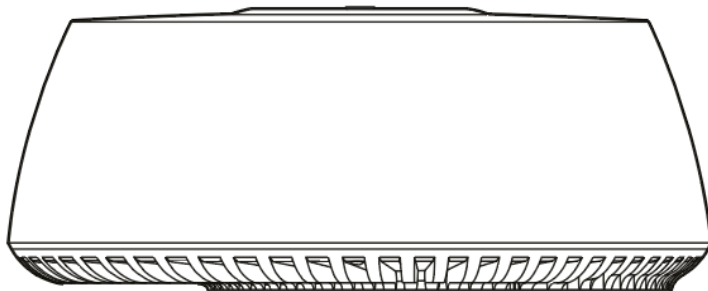
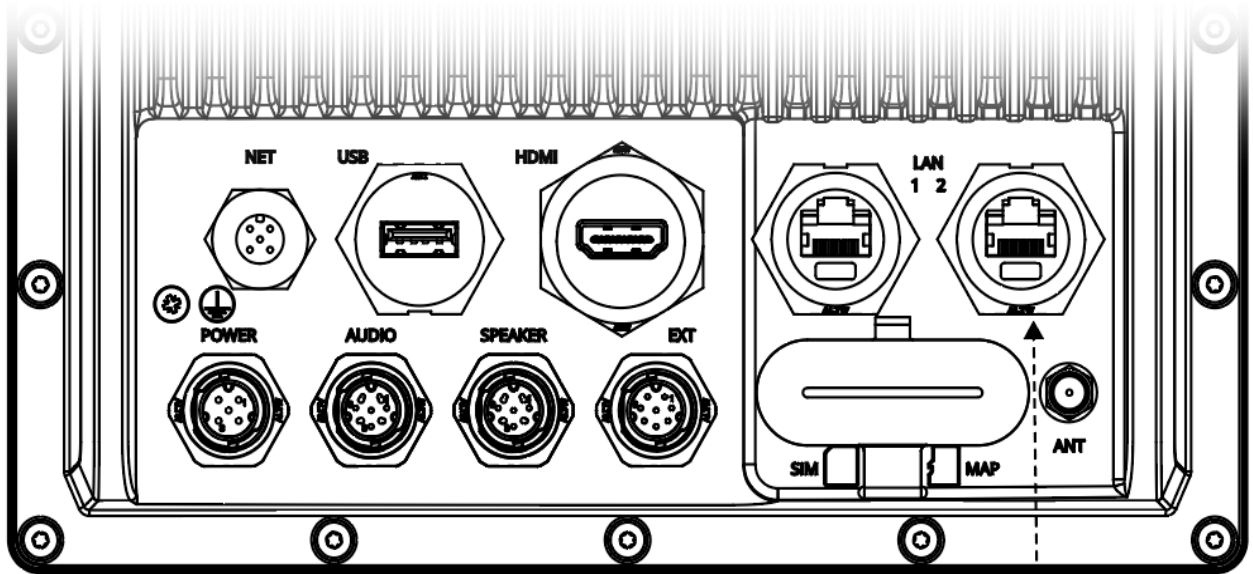
NOTE: The CP100 sonar might be connected either to one of the two available LAN Q display connectors.

The Airmar IC-TM90M Fishfinder has the same electrical connection as the CP100, but it has own fixed RJ45 cable.

11. Radar installation

The Q Display can be connected to a Raymarine Quantum Radar. The radar is connected to either LAN connector with a RayNet adaptor cable RayNet (F) to the RJ45 (M) Port (provided with radar).

The RJ45 connector of the cable shall be assembled with a cable gland (provided separately) to protect the connection against dust and water ingress.



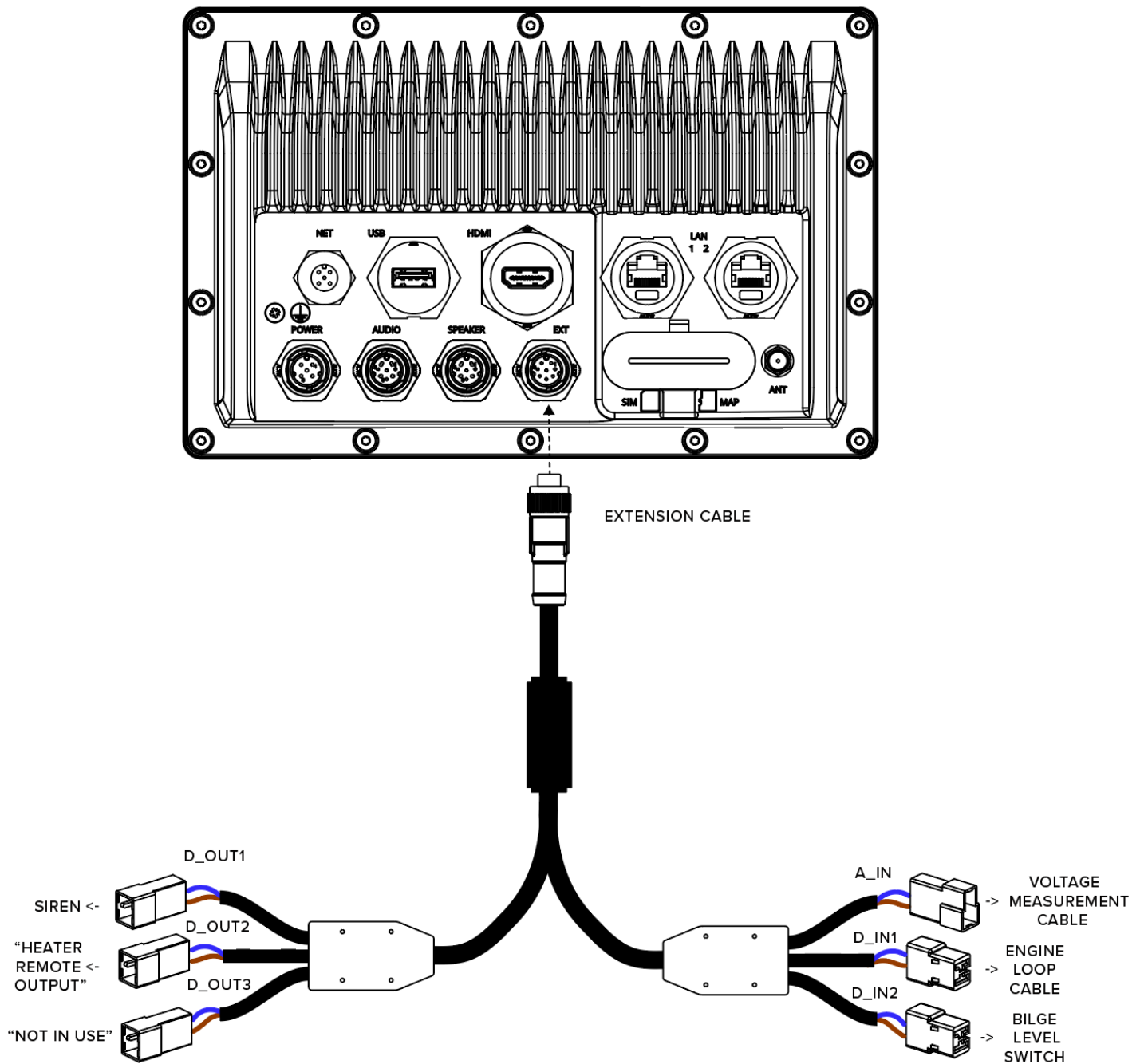
CABLE:
RAYMARINE
ADAPTOR CABLE



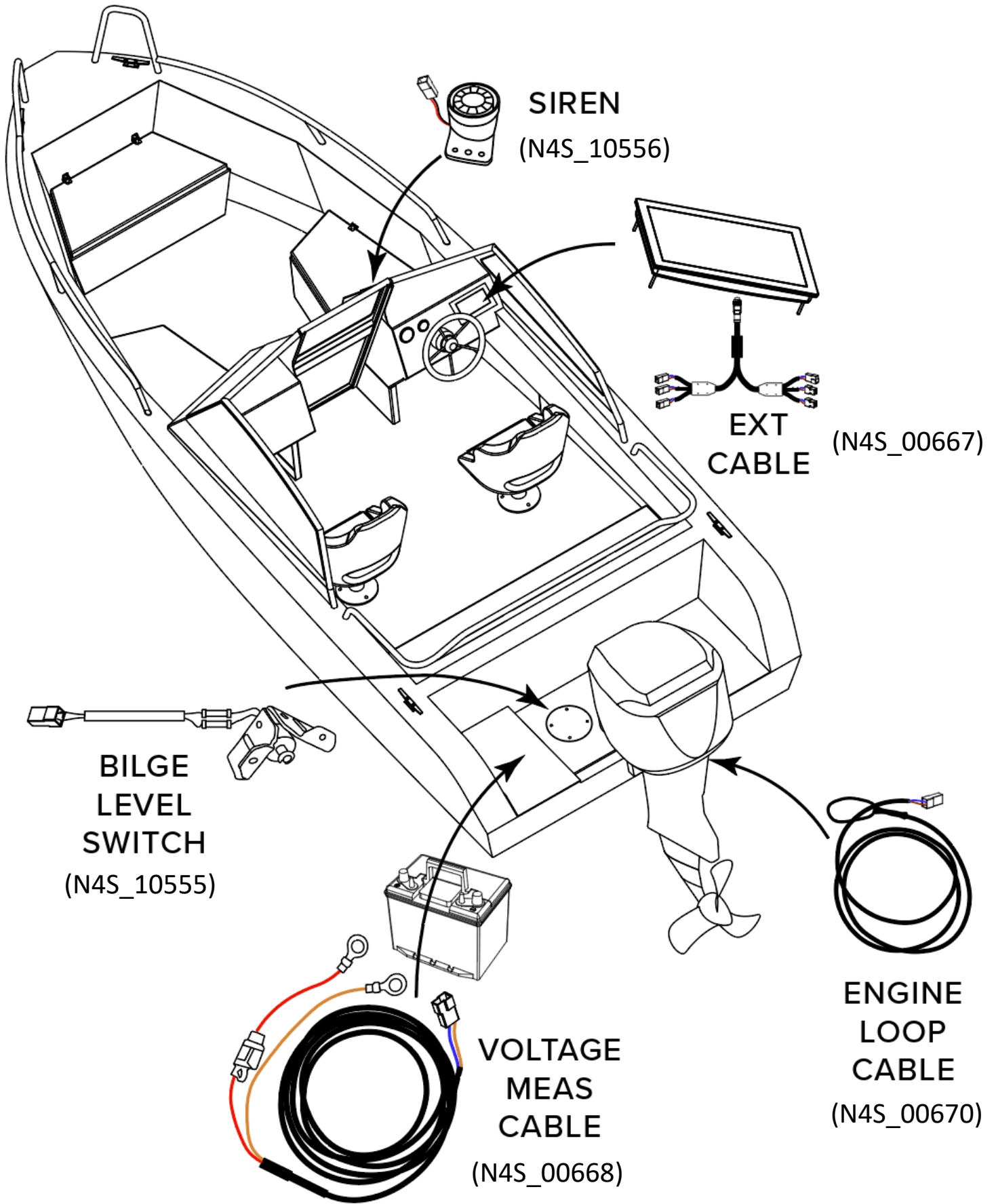
NOTE: The Radar might be connected either to one of the two available LAN Q display connectors.

12. Guard EXT Cable installation

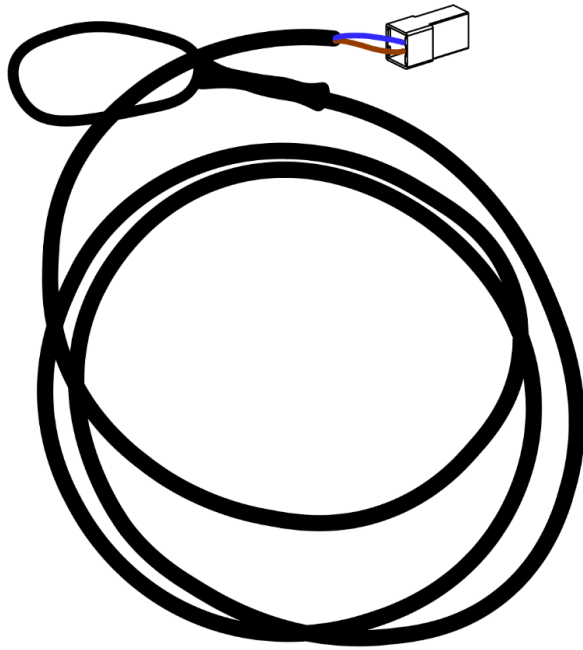
All Guard and EXT accessories provided separately.



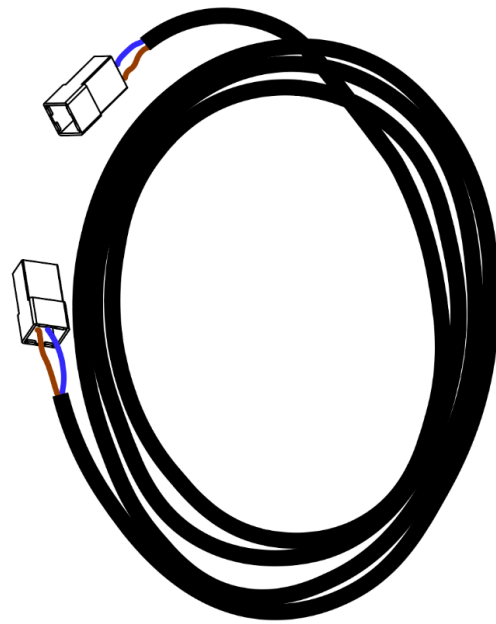
PART NUMBER	DESCRIPTION	Length
N4S_00667	Q2 EXT cable (Guard cable)	0,8 m



12.1. Q2 EXT Engine Loop cable



Engine Loop Cable

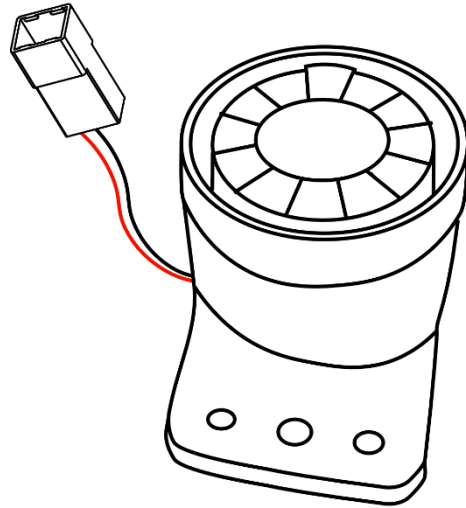


Extension cord (3m) or (5m)

Engine loop cable is installed around the engine such that engine removal requires cutting the cable, resulting in an alarm. Connected to DIGITAL IN 1.

PART NUMBER	DESCRIPTION	Length
N4S_00670	Q2 EXT Engine Loop cable	2m
N4S_00688	Q2 EXT extension cable	3m
N4S_00669	Q2 EXT extension cable	5m

12.2. Q2 EXT Siren

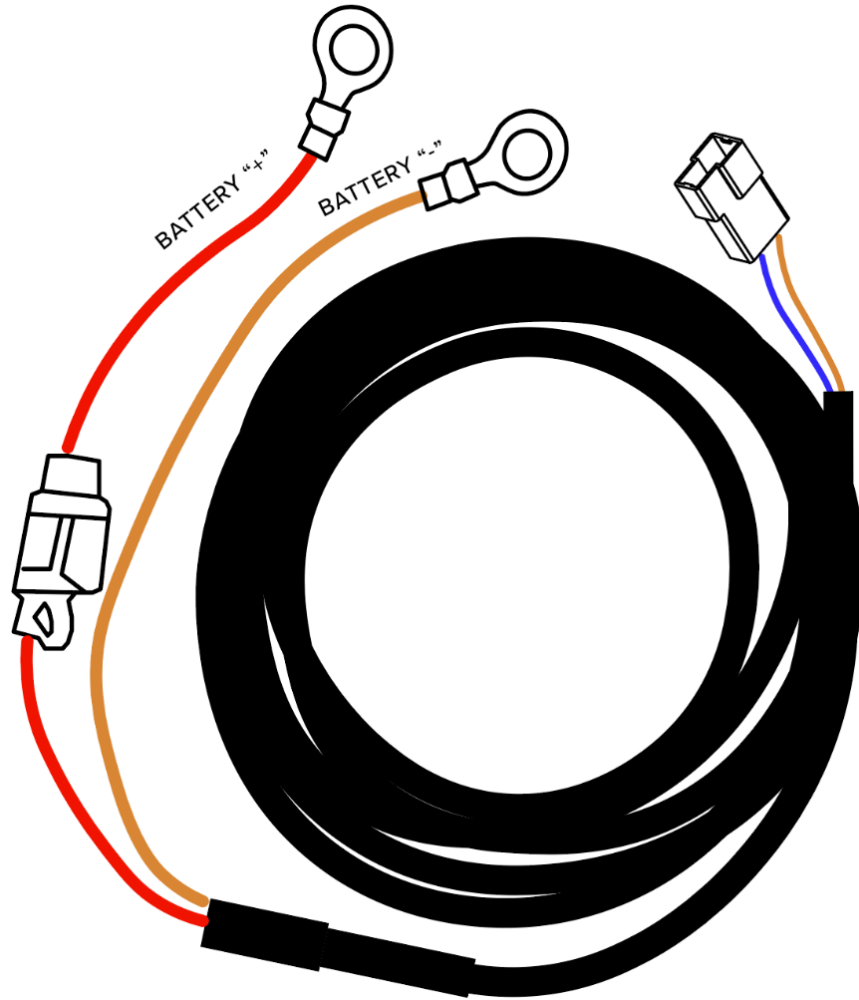


Connected to DIGITAL OUT 1

PART NUMBER	DESCRIPTION	Length
N4S_10556	Q2 EXT Siren	0,5 m

12.3. Q2 EXT Voltage Measurement Cable

Connecting the cable enables accurate voltage measurement of the boat's battery.



Connected to ANALOG IN.

PART NUMBER	DESCRIPTION	Length
N4S_00668	Q2 EXT voltage measurement cable	6,2m



WARNING: Do not connect 'BATTERY-' to battery positive terminal. This will result in permanent damage to device.

12.4. Q2 Bilge Level Switch



Bilge Level Switch

Connected to DIGITAL IN 2



NOTE: The Bilge Level Switch **MUST** be installed higher than a bilge pump detector to indicate only the water level over the expected limit.

PART NUMBER	DESCRIPTION	Length
N4S_10555	Q EXT Bilge Level Switch	3 m
N4S_00790	Q Bilge Switch Plate	-
N4S_00688	Q2 EXT extension cable	3m
N4S_00669	Q2 EXT extension cable	5m

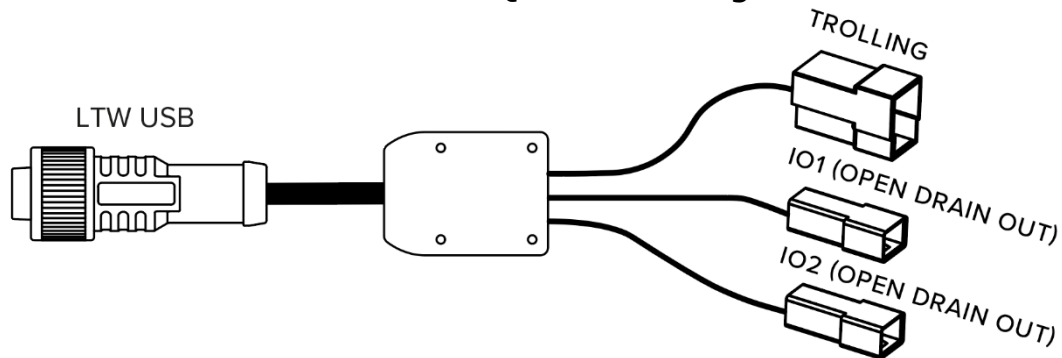
13. Trolling Cable installation

Via Q2 USB Cable it is possible to control and add:

- Trolling speed cable
- USB to CAN-bus adapter

All USB and trolling accessories provided separately.

13.1. Q2 USB Trolling Cable.



PART NUMBER	DESCRIPTION	Length
N4S_00738	Q2 USB Trolling Cable	1,5m

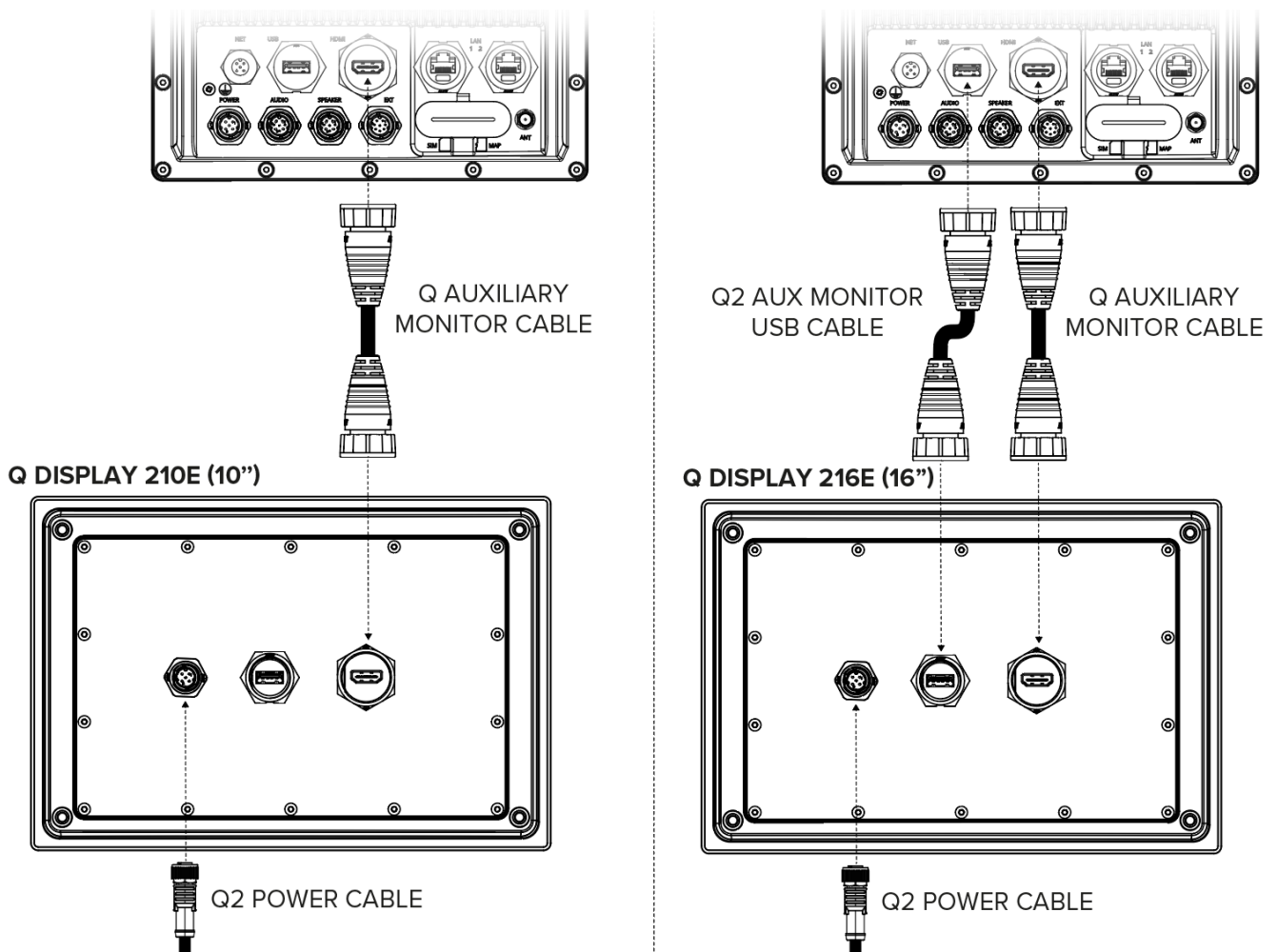
13.2. Q2 Trolling cable extension.



PART NUMBER	DESCRIPTION	Length
N4S_00761	Q2 Trolling cable extension	5,5m

14. Auxiliary Display installation

Auxiliary Q Display 210e (10") and 216e (16") are connected as shown.
All accessories provided separately.

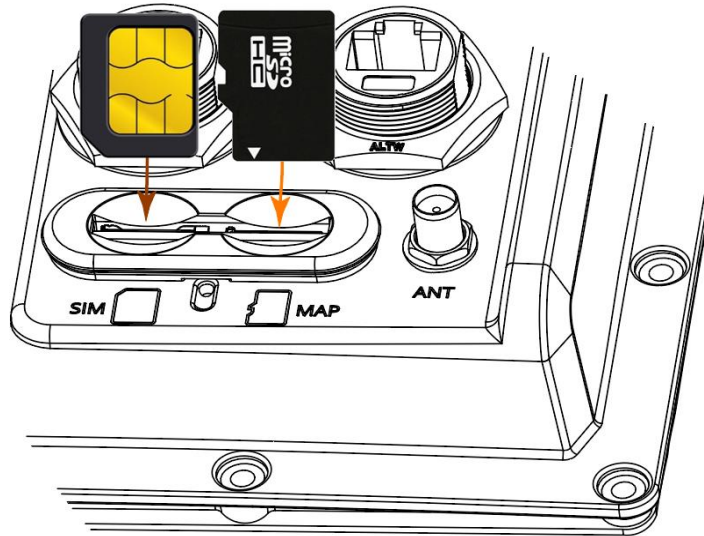


NOTE: Q Display 210e is connected with "Q Auxiliary Monitor Cable". Q Display 216e is connected with both "Q Auxiliary Monitor Cable" and "Q2 AUX monitor USB A-A cable".



NOTE: Q Display 210e and 216e need their own power cables.

15. SIM and MAP cards



NOTE: Cards MUST be installed in the orientation shown in the picture above. If installed incorrectly, the slot will break, and the Q Display will not work properly.

16. Finalization of the installation

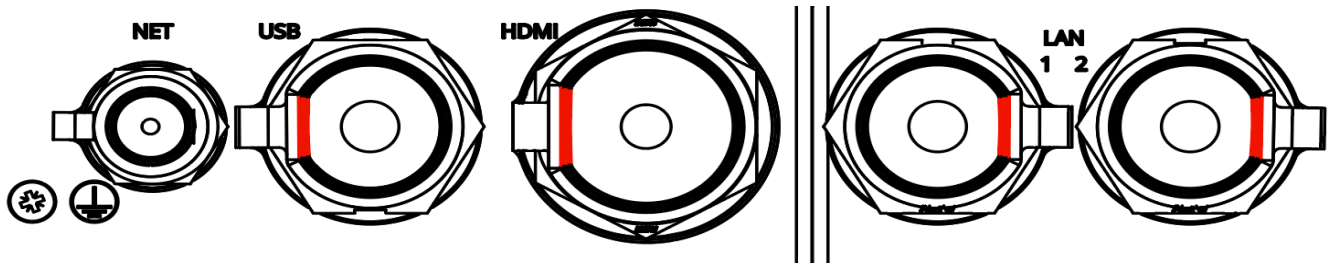
Upon completion of installation work of the Q Display it is necessary to check that:

- All connections have been done according to these instructions.
- The device is mounted securely and there is no gaps between the device and the mounting surface.
- Connector sealing caps on the SIM / SD -slots and all unused connectors are fully tightened.



NOTE: Correct positioning of connector caps is crucial for protecting the device.

The geometry of the caps should match the connector geometry.



Flat faces are parallel



cover is completely pushed in

17. List of available products

DESCRIPTION	Length	PART NUMBER
Q2 Power Cable - MINIFIT	0,4 m	N4S_00663
Q2 Power Cable - lead	1 m	N4S_00664
Q2 Speaker Cable	1 m	N4S_00665
Q2 Audio RCA Cable	0,7 m	N4S_00666
Guard Cable Set	-	N4S_10710
Q2 EXT Cable (Guard cable) *	0,8 m	N4S_00667
Q EXT Voltage Meas. Cable *	6,2 m	N4S_00668
Q EXT Extension Cable, 5m *	5 m	N4S_00669
Q EXT Extension Cable, 3m *	3 m	N4S_00688
Q EXT Engine Loop Cable *	2 m	N4S_00670
Q EXT Bilge Level Switch *	3 m	N4S_10555
Q EXT Bilge Switch Plate *	-	N4S_00790
Q EXT Siren *	0,5 m	N4S_10556
Q Auxiliary Monitor Cable, 6m	6 m	N4S_00671
Q Auxiliary Monitor Cable, 1m	1 m	N4S_00672
Q2 USB Trolling Cable	1,5 m	N4S_00738
Q2 Trolling Extension Cable, 5,5m	5,5 m	N4S_00761
NMEA2000 Micro-C 4-way Tee	-	N4S_00037
NMEA2000 power cable	1 m	N4S_00334
NMEA2000 male terminator	-	N4S_00029
NMEA2000 female terminator	-	N4S_00030
NMEA2000 Micro-C T cable	1 m	N4S_00038
NMEA2000 T-adapter	-	N4S_00845
FM/DAB antenna with SMA connector	3 m	N4S_00248
Q2 Trunnion Bracket	-	N4S_10553
Q2 AUX monitor USB A-A cable, 6m	6m	N4S_00710
Q2 AUX monitor USB A-A cable, 1m	1m	N4S_00711
LAN Cable Gland, IP67, OD 6.5 – 8.0mm		N4S_00752
Digital Switch 2	-	N4S_10750
Q Display 210 (10")	-	Customer/region specific
Q Display 216 (16")	-	Customer/region specific
Q Display 210D (Dual 10")	-	Customer/region specific
Q Display 210e (Auxiliary 10")	-	Customer/region specific
Q Display 216e (Auxiliary 16")	-	Customer/region specific

*included in Guard Cable Set [N4S_10710]